

MAXIMATOR®

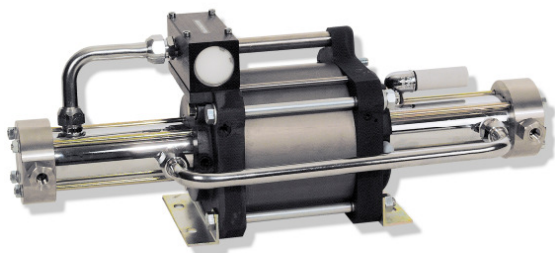
Maximum Pressure.



High Pressure Technology • Testing Equipment
Hydraulics • Pneumatics

Technical Data Sheet

Gas booster DLE 30-75



DLE 30-75
single acting, single air drive head
two stages

Technical Data:

Air drive pressure pL:	1-10 bar / 14,5 - 145psi
Pressure ratio i:	1:30 / 1:75
Compression ratio	1:50
Stage pressure ratio:	1:2.5
Minimum suction pressure pA:	15 bar
Maximum suction pressure pA:	12* air drive pressure pL
Maximum outlet pressure pB:	1,500 bar
Displacement volume/double stroke:	60 cm ³
Maximum cycles:	120 / min
Stall pressure:	PB = 75* pL + 75/30*pA

Standard Connections:

Air drive:	3/4 BSP
DLE 30-75 (-GG)	Inlet/Outlet: 1/4BSP
Maximum operating temperature	100°C
Net weight:	19 kg

Pressure and flow performances, please see enclosed graph.

Materials of construction hp section DLE 30-75:

Standard seal package:	PTFE, Viton
Compressor head:	1.4305
HP cylinder:	1.4542
HP piston:	1.4305
Fittings:	1.4305
Balls:	1.4034
Springs:	1.4310

Approximate Dimensions:

Length:	620 mm
Width:	181 mm
Height:	233 mm

Available Options:

Inert gas service (standard)	DLE 30-75 (-GG)
Oxygen service:	DLE 30-75-GG-S
CO ₂ service:	DLE 30-75-GG-C
In-/Outlet: 9/16-18UNF	DLE 30-75-UU
In-/Outlet: 1/4NPT	DLE 30-75-NN

Available Accessories:

Air control units with filter pressure regulator, control pressure gauge and shut off valve:	DLE 30-75 with C2
To protect the booster against excessive outlet pressures or to limit the outlet pressure, a safety valve can be fitted to the air control unit in the air drive line:	DLE 30-75 with C2/SVair (The required outlet pressure has to be indicated.)

Please consult factory for more information. All technical and dimensional information subject to change. All General Terms and Conditions of sale, including limitations of our liability, apply to all products and services sold.

MAXIMATOR®

Maximum Pressure.

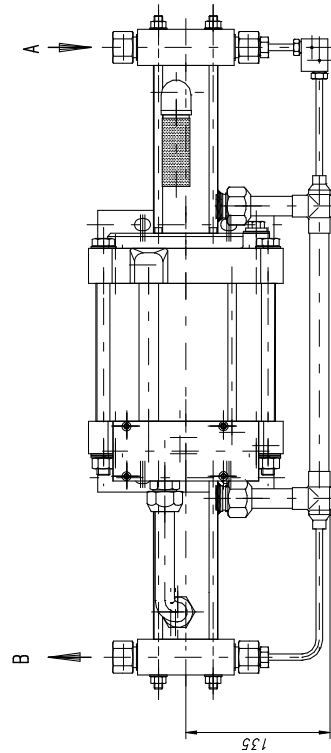
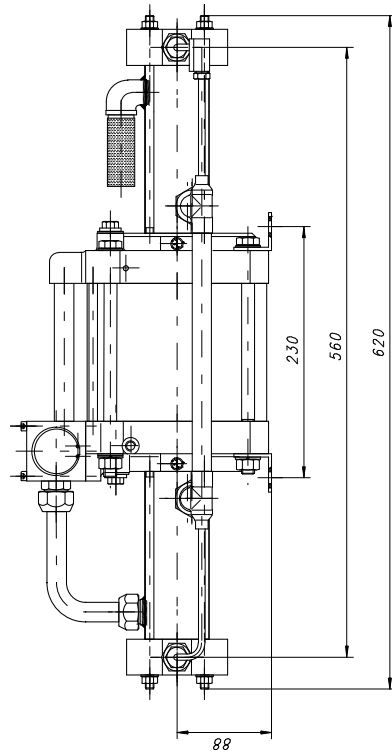
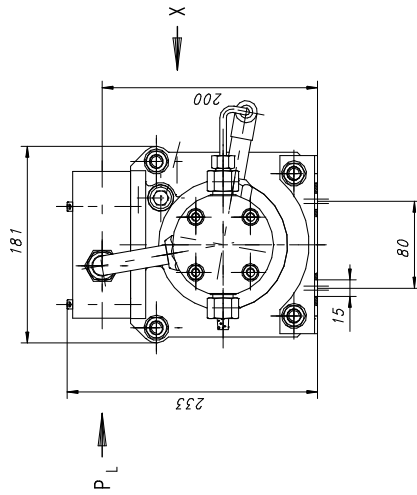


High Pressure Technology • Testing Equipment
Hydraulics • Pneumatics

MAXIMATOR

Maßzeichnung / Dimension drawing

Typ / type: DLE 15 - 30, DLE 15 - 75, DLE 30 - 75



Antriebslufteinlaß.....P_L = G3/4 (3/4BSP)
(air drive inlet)
Gaseinlaß.....A = G1/4 (1/4BSP) >9/16-18UNF<
(gas inlet)
Gasauslaß.....B = G1/4 (1/4BSP) >9/16-18UNF<
(gas outlet)
Steuerluftanschluß.....X = G1/8 (1/8BSP)
(external pilot con.)

Schallpegel max. 75dB(A)
noise level max.

MAXIMATOR®	
MAXIMATOR GmbH D-99734 Nordhausen / D-37449 Zörbig	
BSP 152 152	
DLE 15 - 30(75), DLE 30 - 75	
MAXIMATOR - DLE (Doppeltirrend / etresuluf)	
IP 16.00.147	
13210	
DLE 15 - 30(75), DLE 30 - 75	
MAXIMATOR	

MAXIMATOR®

Maximum Pressure.



High Pressure Technology • Testing Equipment
Hydraulics • Pneumatics

