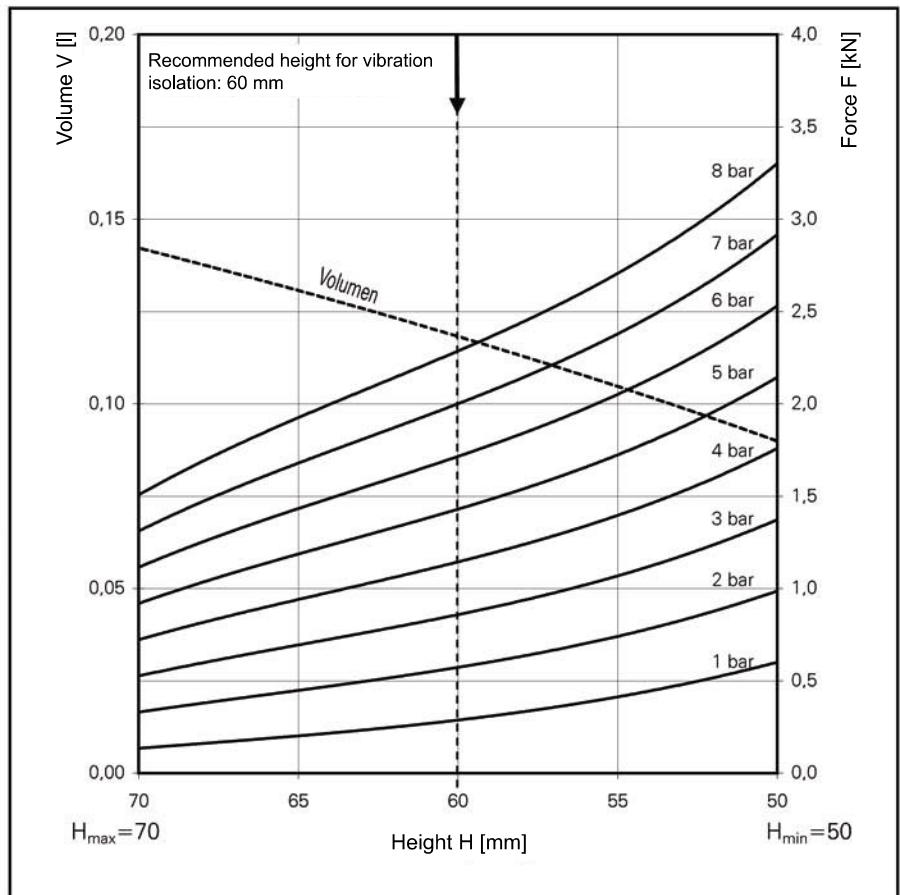
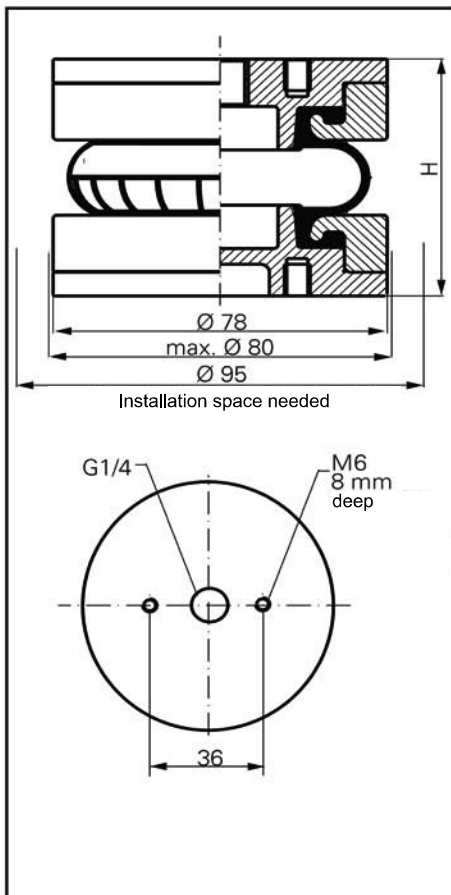


WBE 70



Force-height diagramm

Air inlet

WBE 70-E1

G1/4

Technical data

Min. pressure	0 bar
Return force to min. height	≤ 120 N
Overall weight with clamped plates	0,5 kg

Vibration isolation - dynamic characteristic values

Design height empf. 60mm, minimal 55mm

Pressure p [bar]	3	4	5	6	7	8	Vol. V[l]
Force (Load) [kN]	0,88	1,19	1,48	1,8	2,11	2,4	0,12
Spring rate c [N/cm]	635	820	995	1190	1370	1570	
Natural frequenz f ₀ [Hz]	4,3	4,2	4,2	4,1	4,1	4,1	

Pneumatic application - static characteristic values

Force F [kN]

Pressure p [bar]	3	4	5	6	7	8	Vol. [l]	
Height H [mm]	70	0,52	0,72	0,92	1,12	1,32	1,52	0,15
	65	0,70	0,94	1,18	1,43	1,67	1,91	0,13
	60	0,87	1,15	1,44	1,72	2,01	2,29	0,12
	55	1,06	1,39	1,72	2,05	2,38	2,71	0,10



Service instructions

M6 = 15 Nm

G 1/4 = 25 Nm