

SPX POWER TEAM®

SPX Corporation
5885 11th Street
Rockford, IL 61109-3699 USA

Tech. Services: (800) 477-8326
Fax: (800) 765-8326
Order Entry: (800) 541-1418
Fax: (800) 288-7031

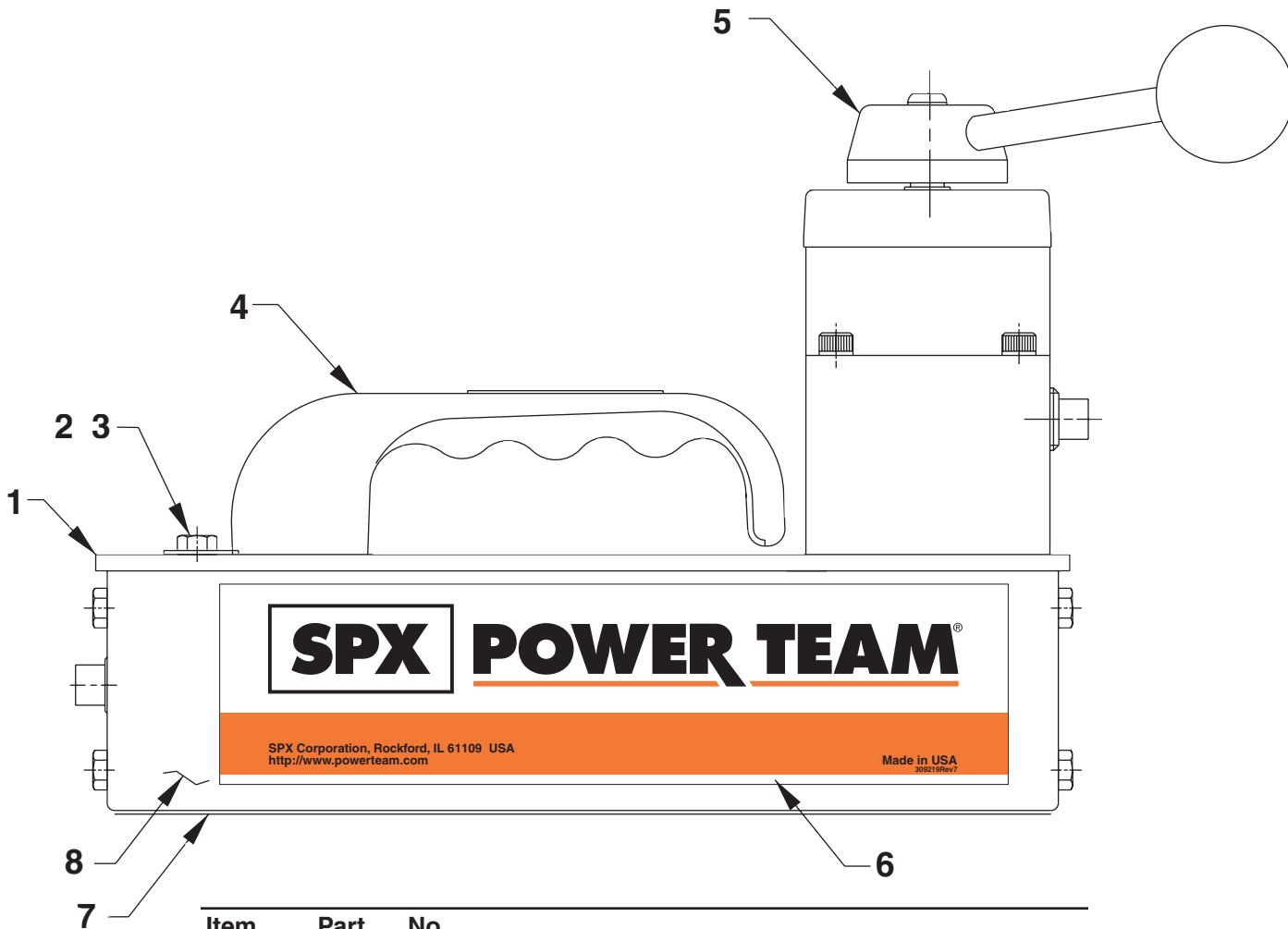
Internet Address:
<http://www.powerteam.com>

Parts List for:

HB443
HB444

HYDRAULIC INTENSIFIER

SIDE VIEW



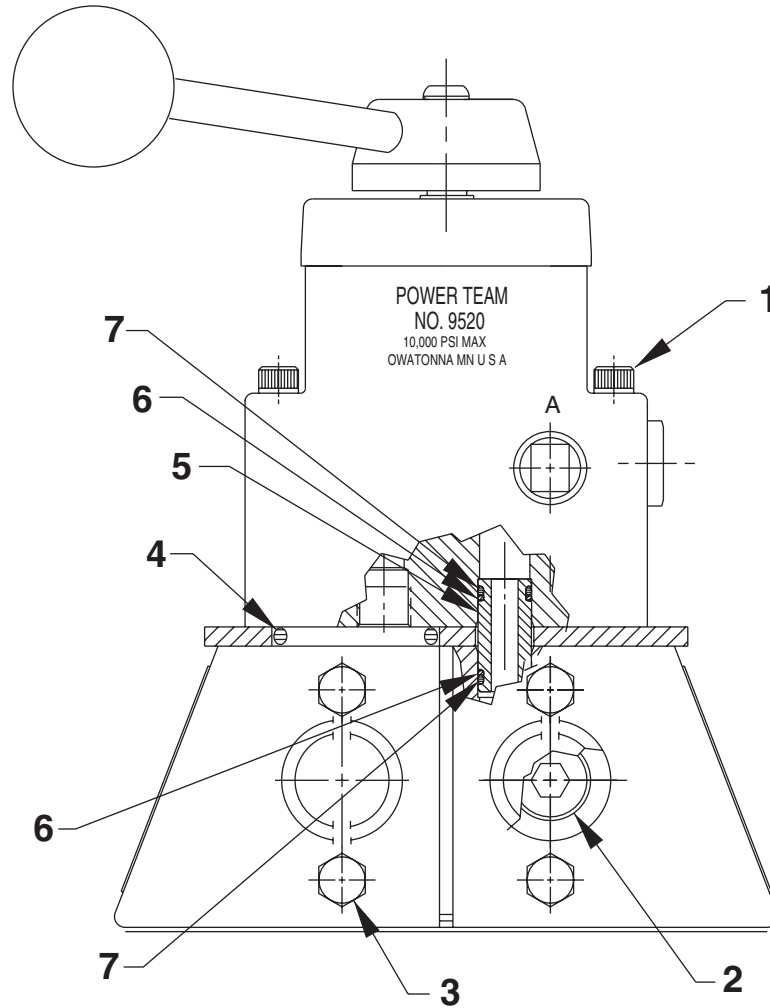
Item No.	Part No.	No. Req'd	Description
1	421224BK2	1	Cover Plate
2	12825	2	Cap Screw (1/4-20 UNC X 5/8 Lg.)
3	10256	2	Lockwasher
4	350547	1	Stap Handle
5	9506	1	3-Way Manual Valve (For HB443; See Forms No. 101377 & 102527)
	9520	1	4-Way Manual Valve (For HB444; See Forms No. 100628 & 102527)
6	309219	2	Trade Name Decal
7	252223	1	Grip Pad
8	58757OR9	1	Metal Box

PARTS INCLUDED BUT NOT SHOWN
252285 1 Warning Decal

Sheet No. 1 of 3

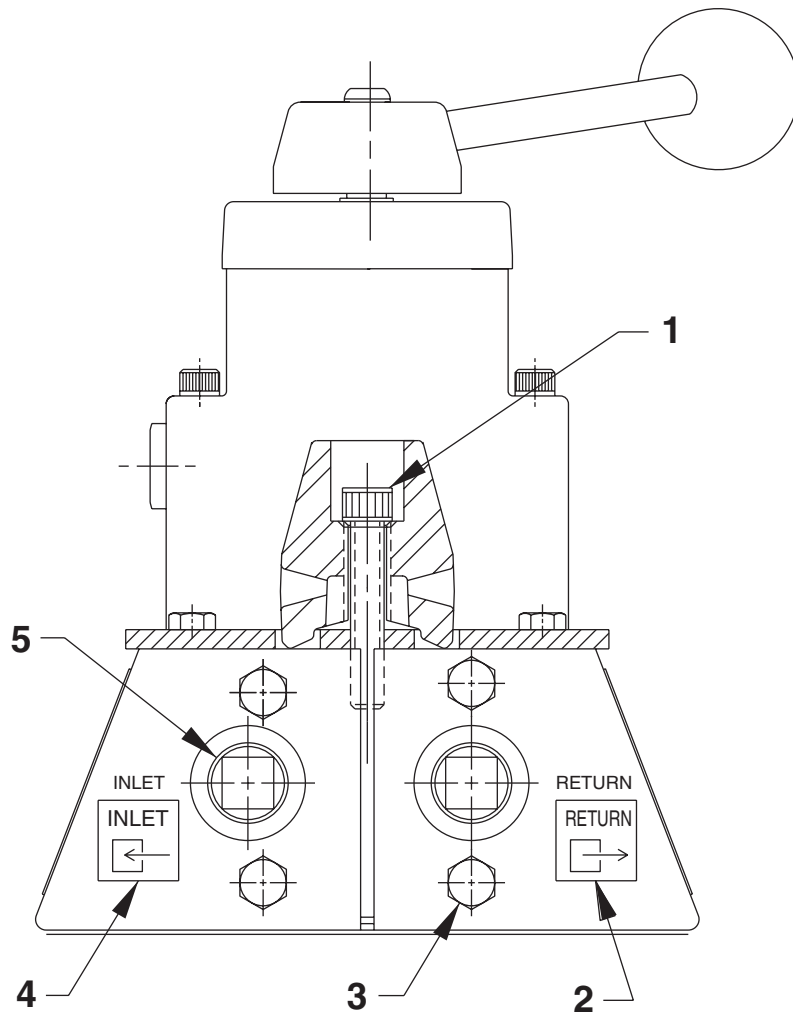
Rev. 4 Date: 11 Dec. 1998

RIGHT END VIEW



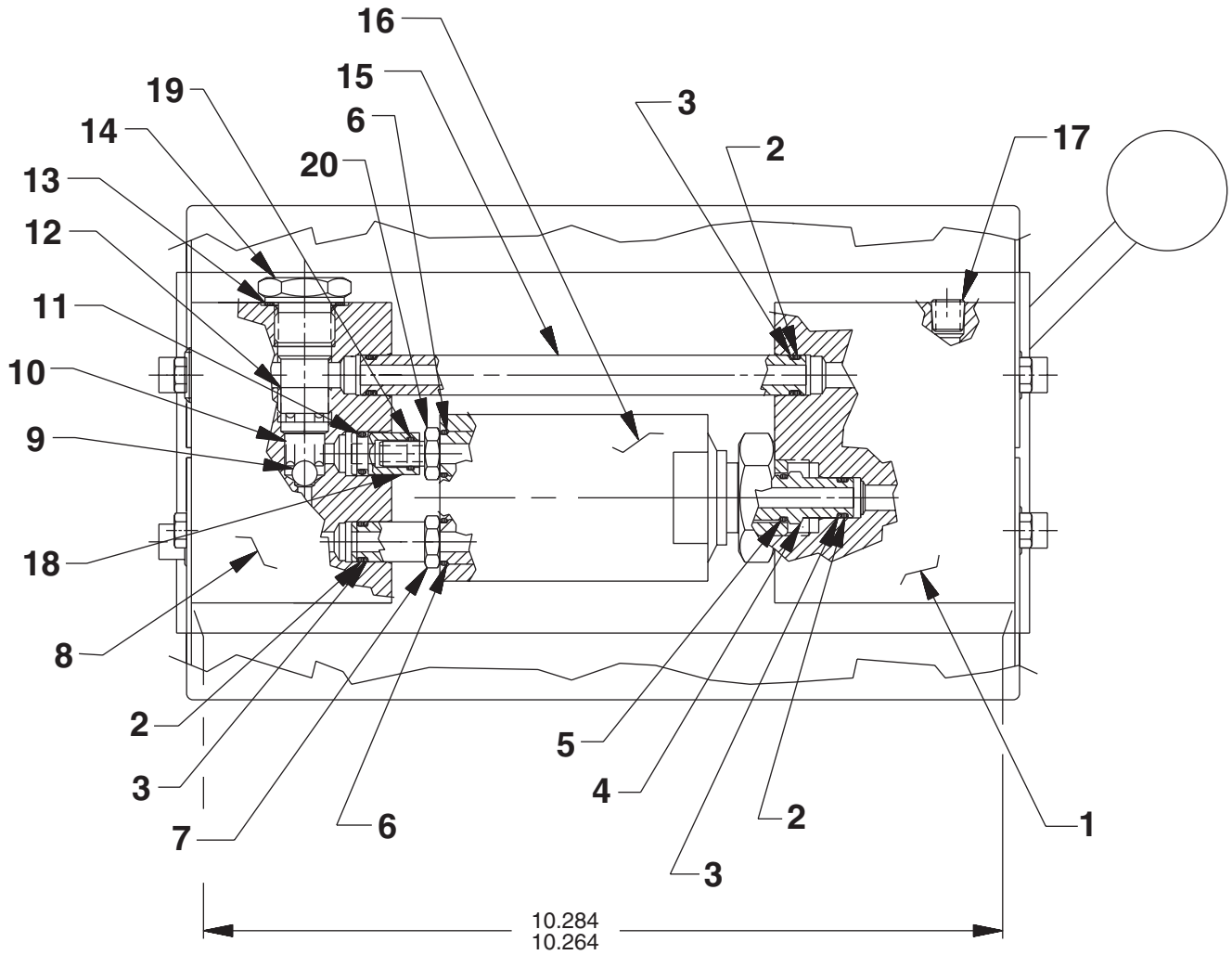
Item No.	Part No.	No. Req'd	Description
1	10855	4	Cap Screw (1/4-20 UNC x 2-3/4 Lg.)
2	16232	2	Plug Fitting (3/8 NPTF)
3	12825	4	Cap Screw (1/4-20 UNC X 5/8 Lg.)
4	10284	1	O-ring (2-1/8 x 1-3/4 x 3/16)
5	202505	1	Bushing
6	11863	2	Backup Washer (1/2 X 3/8 X 1/16)
7	10268	2	O-ring (1/2 X 3/8 X 1/16)

LEFT END VIEW



Item No.	Part No.	No. Req'd	Description
1	251442	1	Cap Screw (5/16-16 UNC x 1-3/4 Lg.)
2	252243	1	Decal (Return)
3	12825	4	Cap Screw (1/4-20 UNC X 5/8 Lg.)
4	252224	1	Decal (Inlet)
5	11127	2	Plug Fitting (3/8 NPTF)

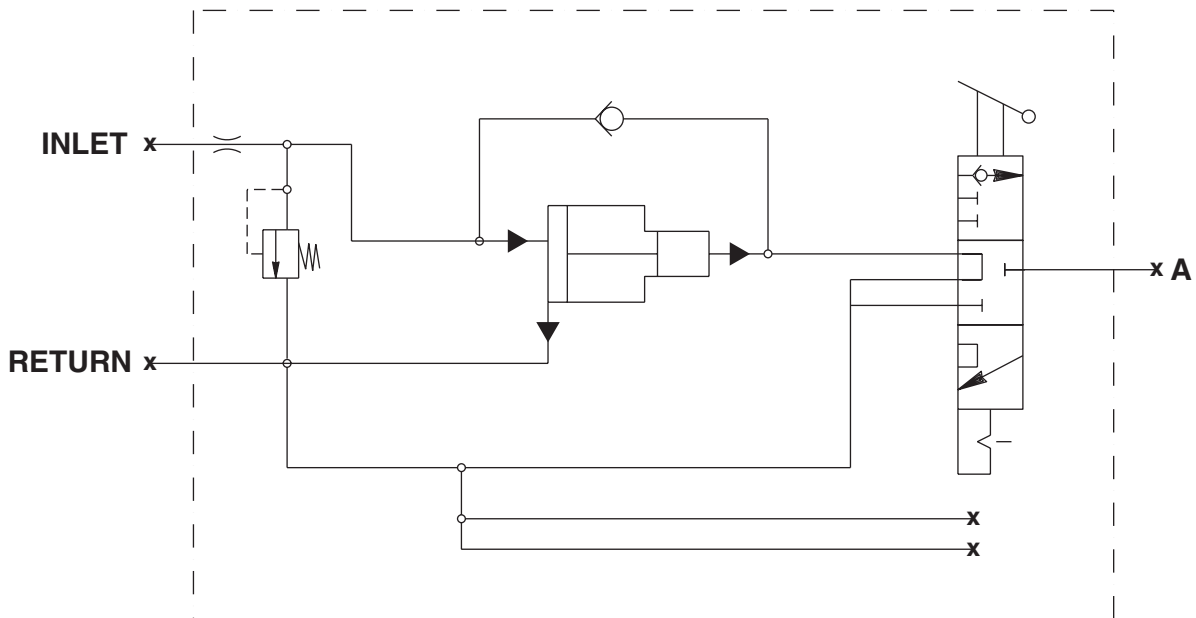
BOTTOM VIEW



Note: This dimension tolerance is required to maintain adequate o-ring engagement.

Item No.	Part No.	No. Req'd	Description
1	58753	1	Front Outlet Block
2	10268	4	O-ring (1/2 X 3/8 X 1/16)
3	11863	4	Backup Washer (1/2 X 3/8 X 1/16)
4	252221	1	Fitting
5	10300	1	O-ring (5/8 X 15/32 X 5/64)
6	11496	2	O-ring (1/2 X 11/32 X 5/64)
7	252073	1	Bushing
8	58754	1	Rear Outlet Block
9	10377	1	Steel Ball (5/16 Dia.)
10	10428	1	Compression Spring (1/2 O.D. X 3/4 Lg.)
11	252477	2	O-ring (9/16 X 3/8 X 3/32)
12	212735	1	Hollow Lock Screw (Set at 2,000/2,100 PSI)
13	10263	1	Special Washer (1" X .765 X 1/32)
14	23108	1	Plug Fitting
15	252066	1	Tube
16	351213	1	Hydraulic Pressure Converter (Note: Screw converter into the front block [Item #1] until it bottoms out. Back out to position the two rear ports horizontal, not to exceed one full turn. See dimensions and note on back of sheet 2 of 3.)
17	10427	1	Plug Fitting (1/8 NPTF)
18	253351	1	Bushing
19	14763	1	O-ring (.43 x .31 Urethane)
20	253351	1	Bushing

HYDRAULIC SCHEMATIC



Note: Shaded areas reflect last revision(s) made to this form.