

Parts List for:

P59F  
P59F-DICKE  
P59FE  
P59FN  
P59FV

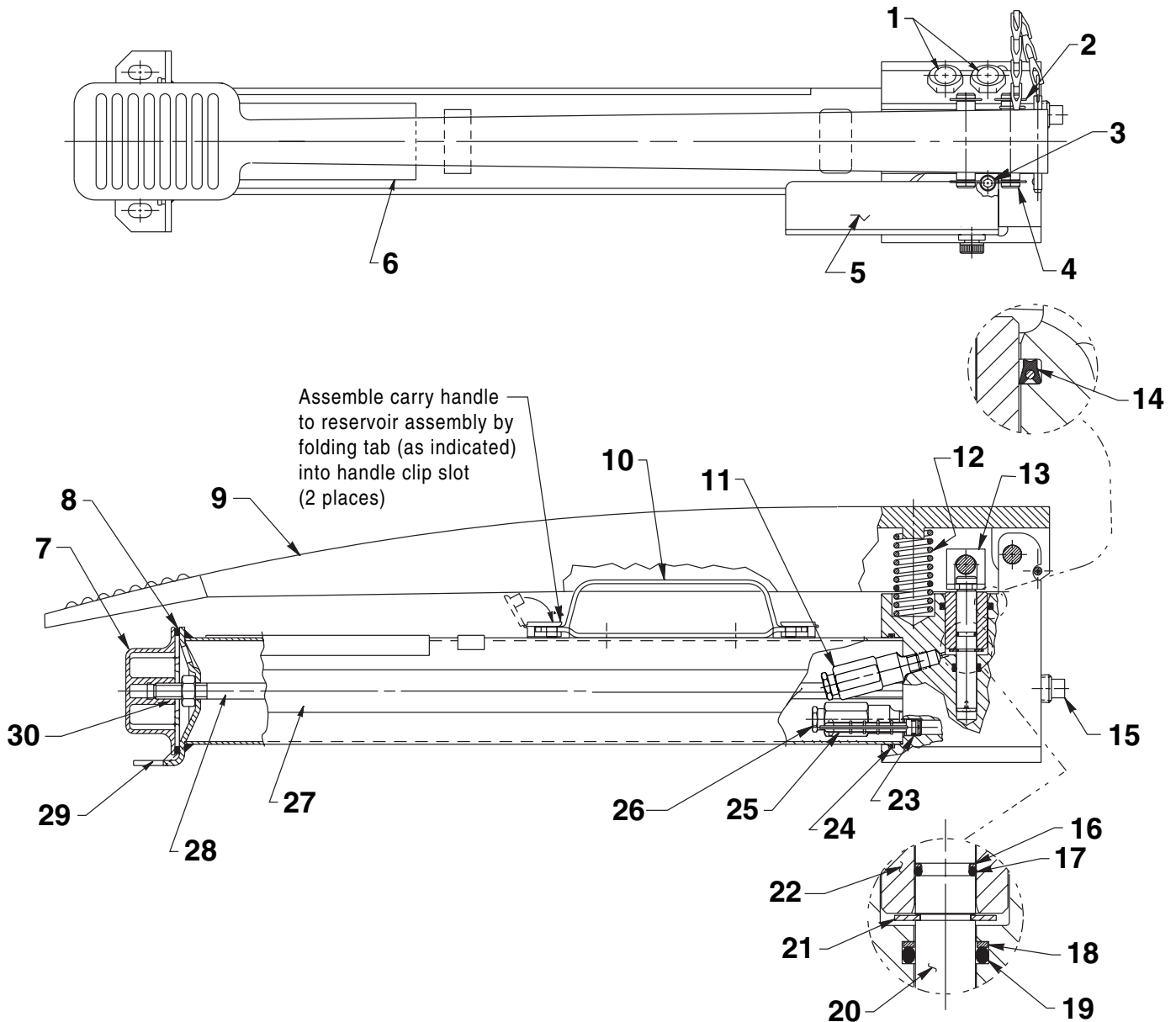
MODEL A

## TWO-SPEED HYDRAULIC FOOT PUMP

325 PSI FIRST STAGE; 10,000 PSI SECOND STAGE

To Parts  
List

### TOP AND SIDE VIEWS



Note: Shaded areas reflect last revision(s) made to this form.

# Parts List, Form No. 101472, Back sheet 1 of 2

Item No.	Part No.	No. Req'd	Description
1	•†*215907	2	Decal (Do Not Remove)
2	211743	4	Retaining Ring
3	10012	3	Soc. Hd. Cap Screw (1/4-20 X 7/8 Lg.; Torque to 90/100 in. lbs.)
4	251702	2	Pin
5	251716BK9	1	Release Valve Lever Assembly
6	•†*305977	1	Warning Decal
7	52711	1	Reservoir Cap (Torque to 50/60 in. lbs.)
8	*212739	1	Fill Cap Gasket (Nitrile)
	†250731	1	Fill Cap Gasket (Viton)
	•250732	1	Fill Cap Gasket (EPR)
9	64780OR9	1	Foot Lever
10	58048	1	Carry Handle
11	48011	1	Relief Valve Assembly
12	251712	1	Compression Spring
13	350923	1	Piston Clip
14	•†*250233	1	U-cup
15	11127	1	Pipe Plug (3/8 NPTF)
16	•†*11863	1	O-ring Backup Washer
17	*10268	1	O-ring (Nitrile)
	†19775	1	O-ring (Viton)
	•17716	1	O-ring (EPR)
18	•*†213987	1	O-ring Backup Washer (Assemble with concave surface towards o-ring)
19	*10271	1	O-ring (11/16 X 1/2 X 3/32; Nitrile)
	†11445	1	O-ring (11/16 X 1/2 X 3/32; Viton)
	•19406	1	O-ring (11/16 X 1/2 X 3/32; EPR)
20	309088	1	High Pressure Piston
21	11581	1	Retaining Ring
22	350085	1	Low Pressure Piston (Assemble with 20° chamfer down as shown)
23	*12557	1	O-ring (11/32 x 7/32 x 1/16; Nitrile)
	†18973	1	O-ring (11/32 x 7/32 x 1/16; Viton)
	•215375	1	O-ring (11/32 x 7/32 x 1/16; EPR)
24	*211495	1	O-ring (2-11/16 x 2-1/2 x 3/32; Nitrile)
	†213209	1	O-ring (2-11/16 x 2-1/2 x 3/32; Viton)
	•215369	1	O-ring (2-11/16 x 2-1/2 x 3/32; EPR)
25	•†*215075	1	Plug Filter
26	21278	1	High Pressure Relief Valve Assembly
	21278-80	1	High Pressure Relief 8,000 P.S.I. (For P59F-DICKE)
27	351055	1	Trade Name Decal
28	211547	1	Tie Rod (Note: Screw in the tie rod until it bottoms out in pump body.)
29	350081	1	Reservoir Assembly
30	10204	1	Hex Nut (3/8-16; Torque to 230/250 in. lbs.)

Part numbers marked with an asterisk (\*) are contained in Standard Repair Kit No. 300814.

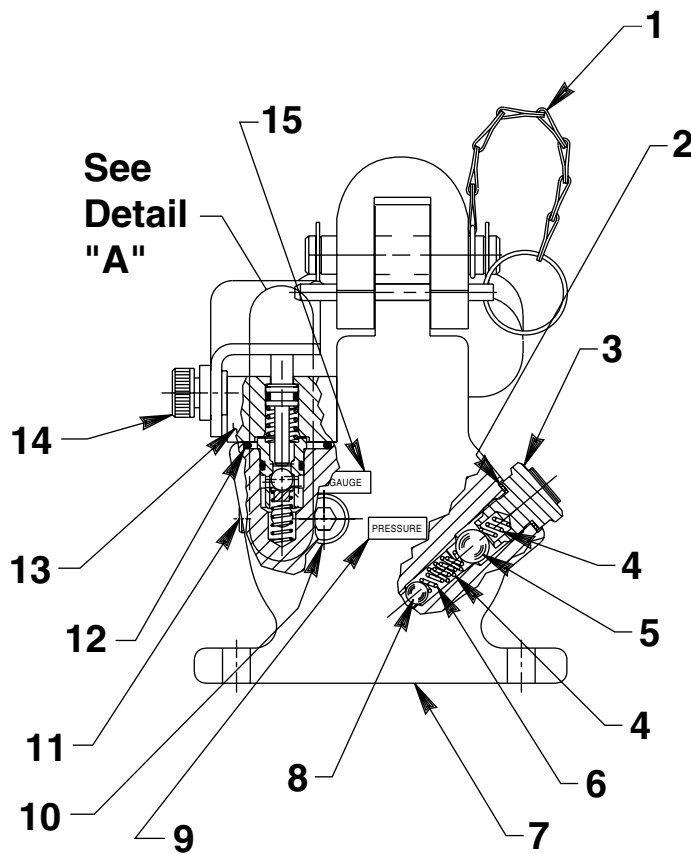
Part numbers marked with a dagger (†) are contained in Viton Seal Kit No. 300815.

Part numbers marked with a bullet (•) are contained in EPR Seal Kit No. 300816.

Note: Shaded areas reflect last revision(s) made to this form.



## END VIEW



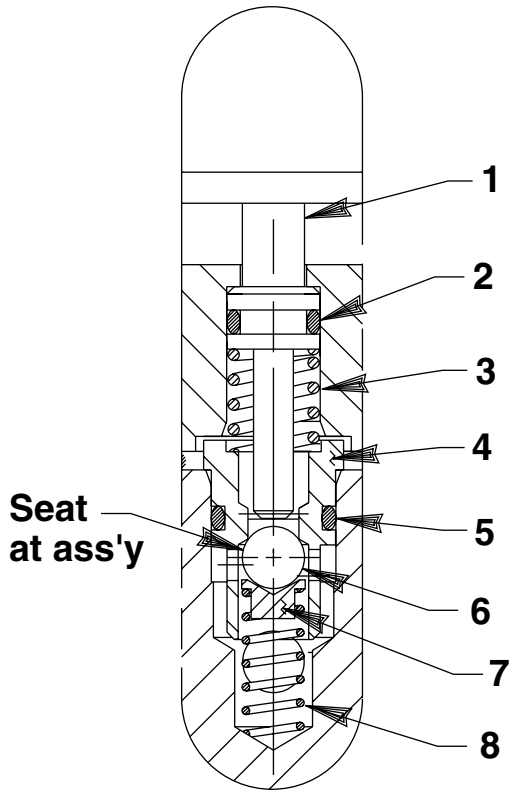
Item No.	Part No.	No. Req'd	Description
1	251753	1	Pin & Chain Assembly
2	•†*14874	2	Copper Washer
3	305975	2	Valve Screw (Torque to 480/500 in. lbs.)
4	•†*10444	2	Compression Spring
5	•†*10378	2	Steel Ball (3/8 dia.)
6	•†*211797	2	Compression Spring
7	64710	1	Pump Body
8	•†*10375	2	Steel Ball (1/4 dia.)
9	215301	1	Decal (Pressure)
10	10479	1	Plug
11	11084	1	Plug
12	10658	1	O-ring (1" X 13/16 X 3/32; Nitrile)
	19002	1	O-ring (1" X 13/16 X 3/32; Viton)
	215364	1	O-ring (1" X 13/16 X 3/32; EPR)
13	420979	1	Release Valve Body
14	251710	1	Hex Soc. Hd Shoulder Screw (3/8 x 3/8 Lg.; Apply Loctite #242 or equivalent; Torque to 100 in. lbs.)
15	215300	1	Decal (Gauge)

Part numbers marked with an asterisk (\*) are contained in Standard Repair Kit No. 300814.

Part numbers marked with a dagger (†) are contained in Viton Seal Kit No. 300815.

Part numbers marked with a bullet (•) are contained in EPR Seal Kit No. 300816.

DETAIL "A"



Item No.	Part No.	No. Req'd	Description
1	29365	1	Release Valve Button
2	*10266	1	O-ring (3/8 X 1/4 X 1/16; Nitrile)
	†11438	1	O-ring (3/8 X 1/4 X 1/16; Viton)
	•17715	1	O-ring (3/8 X 1/4 X 1/16; EPR)
3	13944	1	Compression Spring (3/8 O.D. X 1/2 Lg.)
4	34377	1	Poppet Retainer
5	*15279	1	O-ring (1/2 X 3/8 X 1/16; Nitrile)
	†19775	1	O-ring (1/2 X 3/8 X 1/16; Viton)
	•17716	1	O-ring (1/2 X 3/8 X 1/16; EPR)
6	†*10375	1	Steel Ball (1/4 Dia.)
7	25685	1	Ball Retainer
8	†*14624	1	Compression Spring (1/4 O.D. X 3/4 Lg.)

Part numbers marked with an asterisk (\*) are contained in Standard Repair Kit No. 300814.

Part numbers marked with a dagger (†) are contained in Viton Seal Kit No. 300815.

Part numbers marked with a bullet (•) are contained in Viton Seal Kit No. 300816.

Refer to any operating instructions included with the product for detailed information about operation, testing, disassembly, reassembly, and preventive maintenance.

Items found in this parts list have been carefully tested and selected. **Therefore: Use only genuine PowerTeam replacement parts!**

Additional questions can be directed to our Technical Services Department.