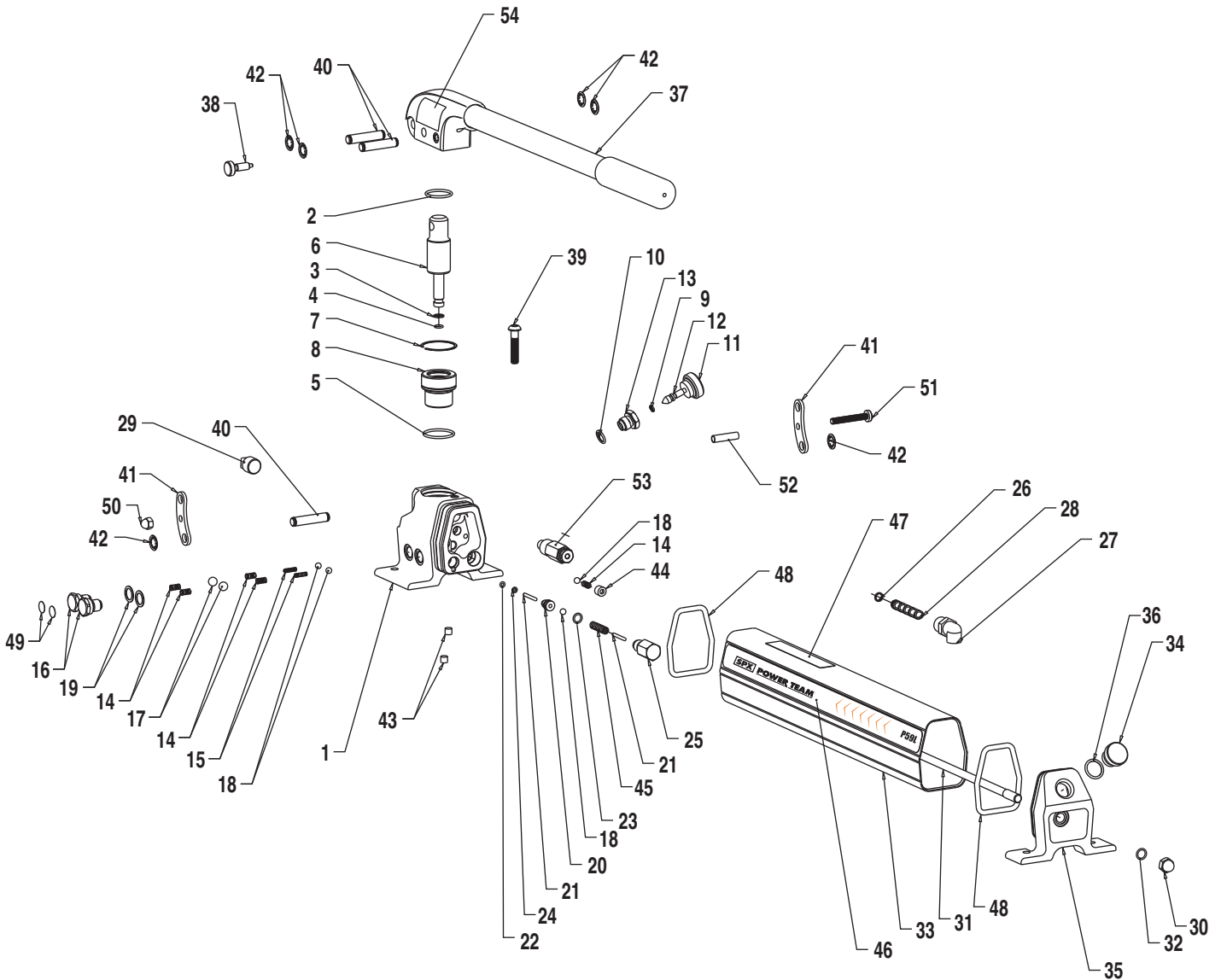




## TWO-STAGE HYDRAULIC HAND PUMP 850 PSI FIRST STAGE; 10,000 PSI SECOND STAGE



# Parts List, Form No. 1000136, Back sheet 1 of 1

Item No.	Part No.	No. Req'd	Description
1	2000314	1	Pump Body
2	*2000515	1	O-Ring (-120) Disogrin 1.18 x 1.00
3	*15085	1	Washer, Backup .44 x .31
4	*14763	1	O-ring (-011) Urethane .43 x .31
5	10914	1	O-Ring (-123) Nitrile 1.37 x 1.18
6	2000324	1	Piston, 2-Speed
7	2000331	1	Ring, Retaining Piston Sleeve
8	2000325	1	Sleeve, Piston
9	*10265	1	O-Ring (-008) Nitrile .31 x .18
10	*10300	1	O-Ring (-906) Nitrile .62 x .46
11	2000577	1	Knob
12	2000465	1	Stem
13	2000466	1	Guide
14	*10444	5	Spring, (.25 OD x .41 x .02 WS)
15	*211797	2	Spring .16 OD x .63 x .01 WS
16	351952-Z	2	Screw, Valve Zinc Plated (351952)
17	*10378	2	Ball (3/8" Dia. Steel)
18	*10375	4	Ball (1/4" Dia. Steel)
19	*14874	2	Washer, Copper .70 x 50
20	*2000322	1	Bushing, Unloading Valve
21	*16471	2	Pin, Dowel (.13 x 1.00)
22	*10264	1	O-Ring (-006) Nitrile .25 x .12
23	*10267	1	O-Ring (-011) Nitrile .43 x .31
24	*214992	1	Washer, Backup .24 x .13
25	2000321	1	Housing, Unloading Valve
26	*12557	1	O-Ring (-009) Nitrile .34 x .21
27	2000356	1	Elbow 3/8 NPTF
28	*215075	1	Screen, Filter
29	11127	1	Fitting, Plug (3/8 NPTF)
30	10842	1	Nut, Hex Cap (3/8-16)
31	2000326	1	Rod, Tie 3/8-16 UNC x 18.5"
32	*12098	1	O-Ring (-013) Nitrile 70A .56 x .43
33	2000316-1	1	Reservoir 2.425 x 3.175 x 17.25
34	351245	1	Cap, Filler
35	2000405	1	Cap, End 2.425 x 3.175
36	*10274	1	O-Ring (-115) Nitrile .87 x .68
37	3000161	1	Handle Assembly
38	2000327	1	Plunger, Retractable
39	2000359	1	Screw 5/16-18 BHCS 1.5" Lg
40	2000329	3	Pin, Pivot 1.78"
41	2000323	2	Link
42	*2000332	6	Ring, Retaining
43	15130	2	Fitting, Plug (1/16 NPTF)
44	10427	1	Fitting, Plug (1/8" NPTF)
45	*2000330	1	Spring, Unloading Valve
46	1000137	1	Decal, Tradename Power Team
47	1000135	1	Decal, Warning
48	*11763	2	O-Ring (-333) Nitrile 70D 2.87 x 2.50
49	*215907	2	Decal, Warning
50	10486	1	Nut, Acorn (1/4-20)
51	2000391	1	Screw (1/4-20 x 1.75)
52	2000401	1	Tubing
53	21278	1	Valve, Relief 10,000 psi
54	1000143	1	Decal, Locking

Part numbers marked with an asterisk (\*) are contained in Standard Repair Kit No. 3000178.

Refer to any operating instructions included with the product for detailed information about operation, testing, disassembly, reassembly, and preventive maintenance.

Items found in this parts list have been carefully tested and selected. **Therefore: Use only genuine Power Team replacement parts!**

Additional questions can be directed to our Technical Services Department.