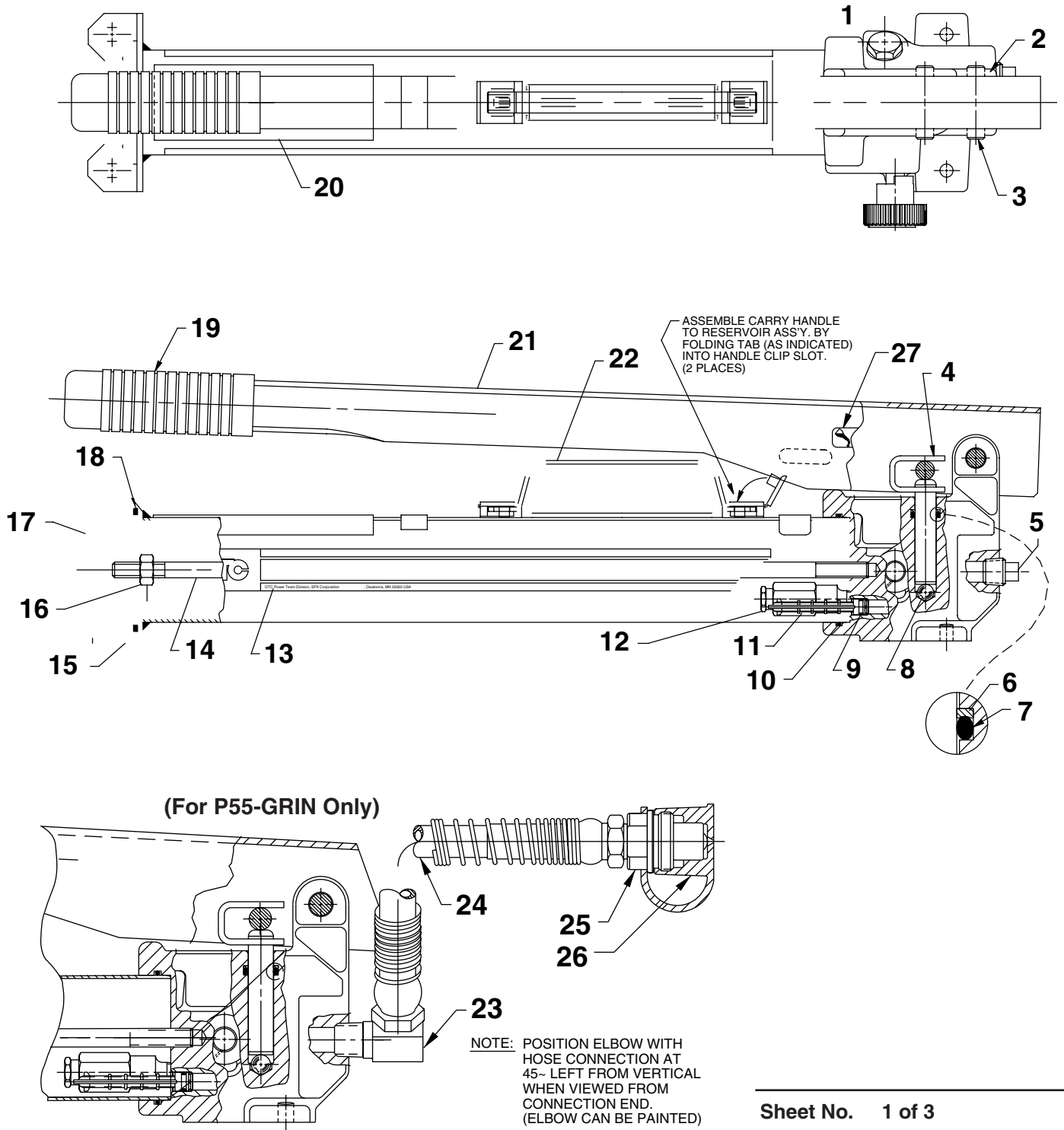


Parts List for:

1U-5230	62087	P55-PFAFF
4002	925010	P55S
4002-ERA	H55	P55-SAUER
61286	P55	P55-SMI
61522	P55-DE-STA-CO	P55VL
61522-CELETTE	P55-GL	P55-WMC-BK
61715	P55-GRIN	P55-WMC-BL
		P55-WMC-RE

**HYDRAULIC HAND PUMP
SINGLE STAGE**



Parts List, Form No. 100617, Back sheet 1 of 3

Item No.	Part No.	No. Req'd	Description
1	*†215907	1	Decal (DO NOT REMOVE)
2	211743	4	Retaining Ring (7/16" shaft)
3	211742	2	Pin
4	211468	1	Piston Assembly
5	11127	1	Pressure Plug (For all models except P55-GRIN)
6	*†213987	1	Backup Washer (11/16 x 1/2 x 3/64)
7	*†10271	1	O-ring (11/16 x 1/2 x 3/32)
	•11445	1	Viton O-ring
	19406	1	EPR O-ring
8	*†10378	1	Steel Ball (3/8 dia.)
9	*†12557	1	O-ring (11/32 x 7/32 x 1/16)
	•18973	1	Viton O-ring
	215375	1	EPR O-ring
10	*†211495	1	O-ring (2-11/16 x 2-1/2 x 3/32)
	•213209	1	Viton O-ring
	215369	1	EPR O-ring
11	*†215075	1	Filter Plug
	*†24789	1	Filter (Metal screen on pumps manufactured <u>before</u> 7-7-88)
12	21278	1	Relief Valve (See NOTE below)
	21278-28	1	Relief Valve (Set at 2,700/3,000 PSI; For P55-GL)
	21278-80	1	Relief Valve (Set at 8,100/8,700 PSI; For 61715)
	21278-52	1	Relief Valve (Set at 5,100/5,700 PSI; For P55-WMC-RE & P55-DE-STA-CO)
	21278-86	1	Relief Valve (Set at 8,400/9,000 PSI; For P55-WMC-BL)
	21278-88	1	Relief Valve (Set at 8,900/9,500 PSI; For P55-WMC-BK)
	21278-112	1	Relief Valve (Set at 11,250 PSI; For P55VL)
	21278-48	1	Relief Valve (Set at 4,900/5,300 PSI; For P55-GRIN)
13	306006	1	Trade Name Decal (For 4002)
	360054	1	Trade Name Decal (For P55)
	212985	1	Trade Name Decal (For 61522)
	13758	1	Trade Name Decal (For 1U-5230)
14	211547	1	Tie Rod
	214079	1	Tie Rod (For 61715, 62087, P55-GL, 4002-ERA, & P55-DE-STA-CO)
	214008	1	Tie Rod (For P55S)
	250386	1	Tie Rod (For P55VL)
	250535	1	Tie Rod (For P55-GRIN)

} On pumps manufactured after 7-7-88

Continued -

NOTE

Standard relief valves are set at 10,100/10,700 PSI.
Relief valves pre-set at special settings are available.
Refer to your pump model number or contact Power Team Technical Services.

Note: Shaded areas reflect last revision(s) made to this form.

Item No.	Part No.	No. Req'd	Description
15	350081	1	Reservoir Assembly
	46952	1	Reservoir Assembly (For 61715 & 62087)
	47846	1	Reservoir Assembly (For P55-GL, 4002-ERA, & P55-DE-STA-CO)
	307940	1	Reservoir Assembly (For P55S)
	420217	1	Reservoir Assembly (For P55VL)
	350278	1	Reservoir Assembly (For P55-GRIN)
16	10204	1	Nut (3/8-16 UNC; Torque to 150/170 in. lbs.)
17	52711	1	Reservoir Cap (Torque to 50/60 in. lbs.)
18	*212739	1	Gasket
	250731	1	Viton Gasket
19	211769	1	Handle Grip
	206731	1	Handle Grip (For P55-GRIN only)
20	*†305977	1	Warning Decal
21	46919	1	Handle (For P55S)
	46953OR9	1	Handle (For P55-GL)
	46953YE3	1	Handle (For 61715 & 62087)
	46953GY8	1	Handle (For P55-DE-STA-CO)
	61287BL2	1	Handle (For 4002, 4002-ERA & P55-SAUER)
	61287OR9	1	Handle (For P55)
	61287WH2	1	Handle (For 61522, P55-PFAFF & 61522-CELETTE)
	61287YE3	1	Handle (For 1U-5230)
	61287BK2	1	Handle (For 925010)
	61287PR3	1	Handle (For P55VL)
	64117BL2	1	Handle (For P55-WMC-BL)
	64117BK2	1	Handle (For P55-WMC-BK)
	64117RE3	1	Handle (For P55-WMC-RE)
	420294OR9	1	Handle (For P55-GRIN)
22	58048	1	Carry Handle (For all models except P55-GRIN)
23	9681	1	90° Elbow Fitting (For P55-GRIN)
24	36890	1	Hydraulic Hose (For P55-GRIN)
25	25599	1	Quick Coupler (For P55-GRIN)
26	9800	1	Dust Cap (For For P55-GRIN)
27	253234	1	Decal (Oil Pivot Pins)

PARTS INCLUDED BUT NOT SHOWN

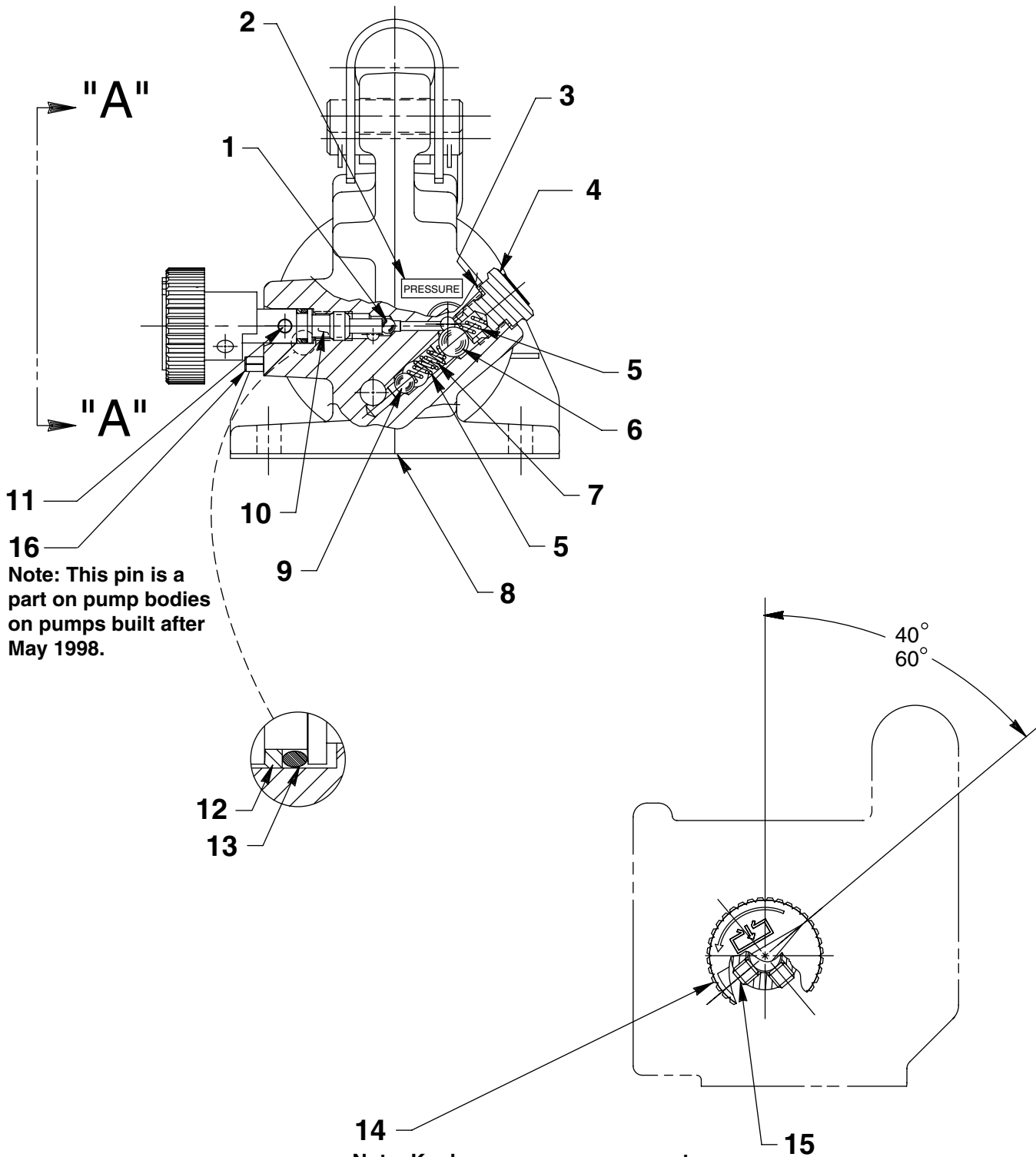
•205724	1	Decal (Viton Seals)
250328	1	Decal (EPR Seals)
310039	1	Warning Decal (For 61522)
214904	1	Decal (Fill level; For 61715, 62087, & P55-GL)
251944	1	Product Decal (For P55-PFAFF)
305993	1	Metering Valve Assembly (For 4002-ERA)
10676	1	Straight Fitting (For 4002-ERA)
10970	1	Pipe Plug (1/4 NPTF; For 4002-ERA)
307066	1	Handle Retainer (optional)

Part numbers marked with an asterisk (*) are contained in Repair Kit No. 300450.

Part numbers marked with a dagger (†) are contained in Repair Kit No. 1U-5229.

Part numbers marked with a bullet (•) are contained in Viton Seal Kit No. 300472.

END VIEW AND SECTION A-A



Note: Knob on your pump may not be the same style as shown here.

VIEW A-A

Item No.	Part No.	No. Req'd	Description
1	*†12223	1	Ball (3/16 dia.)
2	215301	1	Decal (Pressure)
3	*†14874	1	Copper Washer (1/2" bolt)
4	305975	1	Valve Screw (Torque to 350/370 in. lbs.)
5	*†10444	2	Compression Spring (3/16 I.D. x 13/32 Lg.)
6	*†10378	1	Steel Ball (3/8 dia.)
7	*†211797	1	Compression Spring (5/32 O.D. x 5/8 Lg.)
8	61295	1	Pump Body (Includes pin [Item #16]; on pumps built after May 1998)
9	*†10375	1	Steel Ball (1/4 dia.)
10	350185	1	Release Valve Screw (When ordering this part number, also order Item #11, a nylon ball included in the Repair Kit.)
11	*†•15528	1	Nylon Ball (Push in nylon ball until it bottoms out in hole. Permissible to flatten ball during assembly.)
12	*†•15085	1	Backup Washer (7/16 x 5/16 x 3/64 Thk.)
13	*†10267	1	O-ring (7/16 x 5/16 x 1/16)
	•18974	1	Viton O-ring
	13472	1	EPR O-ring
14	351087	1	Release Valve Knob (Note: Screw in valve stem until seated [bottomed out]. Then position knob as shown approx. 1/16" from casting surface. Lock in place with set screw [Item #15]).
	21643	1	Knob (Old Style)
15	10556	1❖	Set Screw (Torque to 50/70 in. lbs.)
16	10714	1	Slotted Spring Pin (.19 x .63; Included with pump body [Item #8]; on pumps built after May 1998)

Part numbers marked with an asterisk (*) are contained in Repair Kit No. 300450.

Part numbers marked with a dagger (†) are contained in Repair Kit No. 1U-5229.

Part numbers marked with a bullet (•) are contained in Viton Seal Kit No. 300472.

❖NOTE: Some pumps have two (2) set screws.

Note: Shaded areas reflect last revision(s) made to this form.

Refer to any operating instructions included with this product for detailed information about operation, testing, disassembly, reassembly, and preventive maintenance.

Items found in this parts list have been carefully tested and selected. **Therefore: Use only genuine replacement parts!**

Additional questions can be directed to our Technical Services Department.