



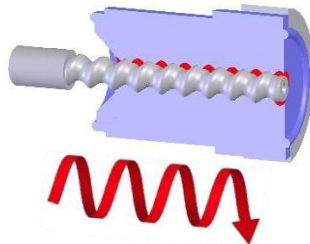
## Product Data Sheet

### TS8100 Series Positive Displacement PC Pump

The TS8100 Series Positive Displacement Pump is a continuously volumetric dispense pump based on Progressive Cavity (PC) technology. The pump is designed to dispense a wide range of fluids, from low viscosity coatings to high viscosity greases.

Techcon's PC Pump uses a special stator and rotor design to provide consistent dispensing output.

The turning rotor moves the fluid in tightly sealed cavities through the stator's fluid chambers to create a volumetric fluid flow that does not change the shape or size of the fluid. Due to the PC Pump's unique dispensing technology, accuracy and repeatability of  $\pm 1\%$  is achievable.



#### INCLUDED WITH THE UNIT

- Syringe bracket
- Mounting bracket kit
- Luer lock fitting
- Cleaning kit
- Dispensing tip selection pack

#### TYPICAL APPLICATIONS

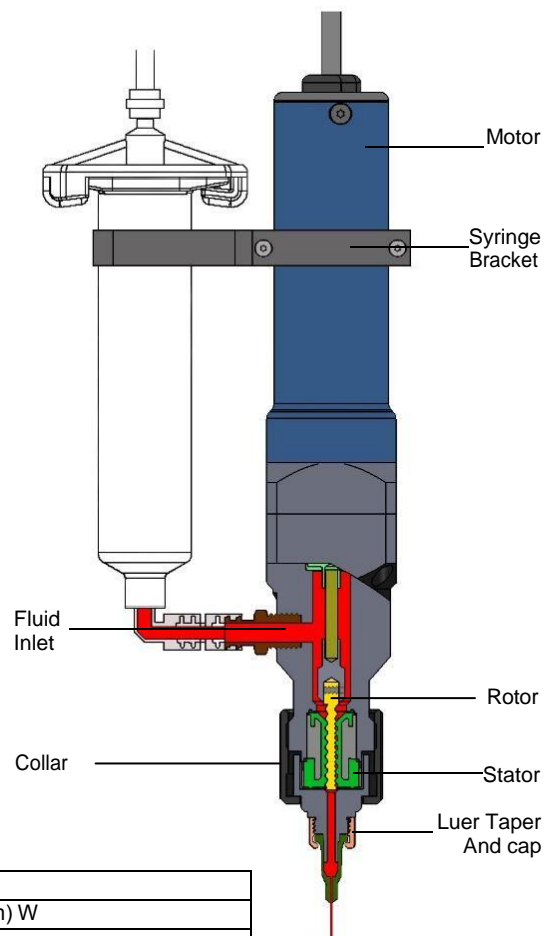
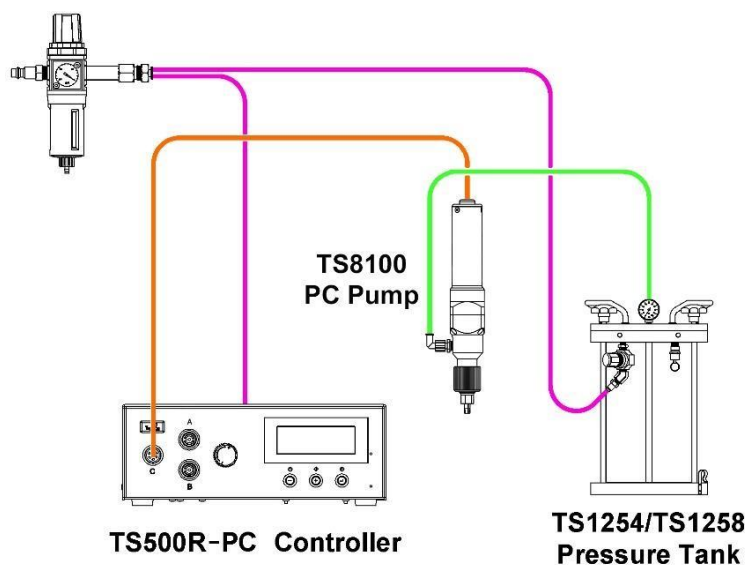
- Under filling PCBA components
- Encapsulation and Potting applications
- Applying lubrication on Automotive parts
- Dispensing pastes and flux

#### KEY FEATURES AND BENEFITS

- Volumetric, positive displacement
- Accurate and repeatable up to  $\pm 1\%$
- No dripping with any viscosity fluid
- Compatible with abrasive materials
- Does not damage or break fillers
- Easy to clean



## TYPICAL SETUP



## SPECIFICATIONS & PART NUMBERS

SPECIFICATIONS		
Size	801" (205mm) L X 1.3" (34mm) W	
Weight	13.4 oz. (380g)	
Wetted Part	Delrin® (Acetal), PFE, Stainless Steel, UHMWPE	
Fluid viscosity	1-300K (Cps or m.Pa.s)	
Precision ±, absolute (1)	±1%	
Self-sealing (2)	2 bar	
Material inlet port	1/8 NPT	
Material outlet port	Male Luer lock	
Direct mount material reservoir	3 to 55cc	
<b>Part number</b>	<b>TS8100-100</b>	<b>TS8100-200</b>
Dispense volume per rotation	0.012 ml average	0.047 ml average
Flow rate range	0.15 – 1.04 ml/min.	0.47 – 4.46 ml/min.
Max flow rate recommended (3)	0.65ml/min	3.38 ml/min
Minimum dispense amount	0.001 ml	0.0045 ml

- (1) Volumetric dispensing as absolute deviation per complete revolution and also depends on dispensing fluid.
- (2) For fluid with viscosity of 1000 Cps or lower. The pump can handle up to 5.5 bar for 300K Cps viscosity fluid.
- (3) This is the maximum flow rate that does not shorten the stator work life

## ACCESSORIES

- **XYZ Robot:** Techcon's Bench-Top Dispensing Robots makes it easy to automate fluid dispensing.
- **Fluid reservoirs:** The pump can be fed from the TS1254 (1.8 litre) or TS1258 (5 litre) Pressure Tank, or from any size syringe barrel or cartridge.
- **Digital Controller:** Techcon's TS500R-PC Digital Controller is designed specifically for Techcon's TS8100 PC Pump.

For Sales and Support:

# ULBRICH

[www.ulbrich-group.com](http://www.ulbrich-group.com)

\*SS: Stainless Steel  
\*PFE: Perfluoroelastomer  
UHMWPE: Ultra High Molecular Weight Polyethylene